



# **PROGRESSING CAVITY PUMP AND INTEGRAL MACERATOR UNIT**

**Italian Designed & Manufactured**



MODEL	C031 CUTTER
RANGE	SEWAGE UNIT
STATOR	NITRILE



INTEGRATED UNIT	BI-HAMMER MACERATOR
SYDEX PUMP	

## C031 Cutter Progressing cavity pump with a Macerator Unit incorporated

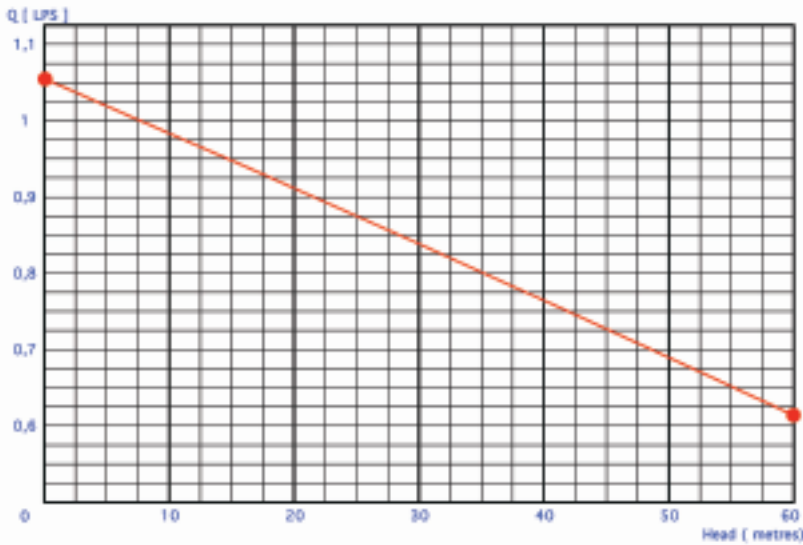
Function: With the self priming action the screw pump allows to suction the sewage up to the suction chamber; the Bi-Hammer Macerator smashes into small particles the sewage solids. Finally the pump transfer the sludge to the final destination.

### Benefits and Features:

- Integral macerator Unit – Hardened tool steel cutter macerates and shreds the solids in small particles.
- Elevated pressure capacity (6 bar)
- Simple design - Fast and easy maintenance;
- The pump it's easy to handle and clean.
- Low speed running - Long pump life.
- Seal system: Mechanical seal - No liquids leaking.
- Aisi 316 construction (Rotating parts) and Corrosion resistant body.
- Capacity: Up to 3.5 M3/h – 925 Gallons/h
- Pressure: Up to 6 bar

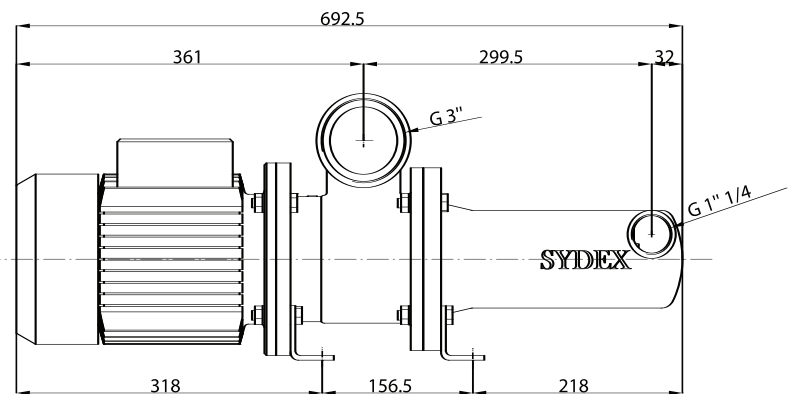
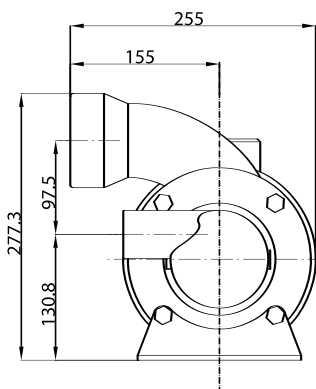
### The C031 application area's:

- Single and multiple residential complexes.
- Schools and public institutions
- Ships and Yates
- Hotels, camping areas and caravan parks
- Sporting and country clubs centres
- Industrial buildings
- Farms and rural complex
- Shopping centres



MOTOR SIZE	PORT SIZE	FLOW RATE AND HEAD					
		10m	20m	30m	40m	50m	60m
1,1 kW	IN 3" BSP Out 1" 1/4 BS	0,97 lps	0,91 lps	0,84 lps	0,77 lps	0,68 lps	0,62 lps

Tolerance : +/- 10%



Sydex Srl - Via Lord Baden Powell, 24 - 36045 Lonigo (Vicenza) - ITALY  
Tel. +39 0444 43 25 88 - Fax +39 0444 43 25 89  
E-mail: [info@sydexpump.com](mailto:info@sydexpump.com) - Web site: [www.sydexpump.com](http://www.sydexpump.com)

Your local Authorised Distributor:



Tel: 0334 / 402237 Fax: 0334 / 819052  
Mobil: 0741 / 197707  
E-mail: [office@stegonserv.ro](mailto:office@stegonserv.ro)